

METHOD AND DEVICE FOR INPUTTING CONTROLLED VARIABLE

Patent Number: JP9218737
Publication date: 1997-08-19
Inventor(s): MINAMI KIYOSHI
Applicant(s): NAMCO LTD
Requested Patent: JP9218737
Application Number: JP19960049550 19960213
Priority Number(s):
IPC Classification: G06F3/02 ; G06F3/02 ; A63F9/22
EC Classification:
Equivalents:

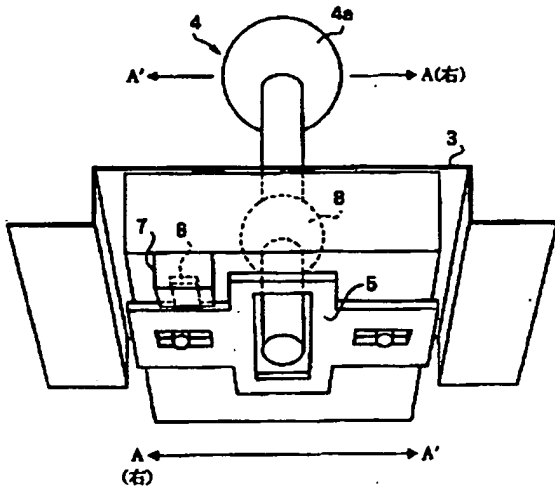
Abstract

PROBLEM TO BE SOLVED: To provide a controlled variable input device which can highly precisely read out the movement of an operation lever.

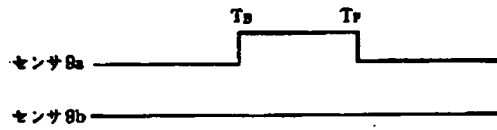
SOLUTION: When the lever 4 is moved in the direction of A or A', transmission-type optical sensors 9a and 9b are changed from 'L' to 'H' in accordance with the movement, and '1' is sequentially stored in the respective bits of corresponding 8-bit shift registers 15a and 15b. When one sensor is 'L' and the other sensor is 'H', a count buffer in RAM is added in accordance with the content of one shift register, and counting is stopped when both sensors become 'H'. Thus, not only the switch timing of ON/OFF by the lever 4 is detected but also operation speed when the lever 4 is operated can highly precisely be detected.

Data supplied from the esp@cenet database - 12

【図3】



【図7】



【図6】

